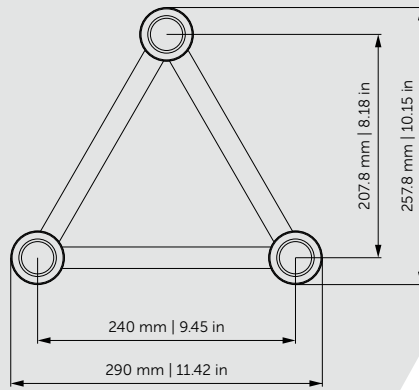


## SPECIFICATIONS

<b>Tubes</b>	50 x 2 mm (1.97 x 0.08 in)
<b>Braces</b>	20 x 2 mm (0.79 x 0.08 in)
<b>Alloy</b>	EN AW-6082 T6



## LOADING TABLES

		2 m	4 m	6 m	8 m	10 m	12 m
UDL [kg/m]		761	206	92	51	31	20
Deflection [mm]		2.6	11.5	26.8	48.8	75.2	105.6
CPL [kg]		761	412	277	206	154	117
Deflection [mm]		2.1	9.3	21.7	39.8	62	88.3
		6.56 ft	13.12 ft	19.68 ft	26.24 ft	32.81 ft	39.37 ft
UDL [lbs/ft]		511.4	138.4	61.8	34.3	20.8	13.4
Deflection [in]		0.1	0.5	1.1	1.9	3	4.2
CPL [lbs]		1678	908.5	610.8	454.2	339.6	258
Deflection [in]		0.1	0.4	0.9	1.6	2.4	3.5

Loading tables are valid for static loads and spans with two supporting points.

Spans must be supported at each end.

Contact structural engineer if there are more supporting points applied or dynamic and wind loads involved.

## STRAIGHT SEGMENT LENGTHS

Code	Length		Weight	
FT33-50	0.5 m	1.64 ft	2.9 kg	6.32 lbs
FT33-100	1 m	3.28 ft	4.6 kg	10.03 lbs
FT33-150	1.5 m	4.92 ft	6.3 kg	13.95 lbs
FT33-200	2 m	6.56 ft	8.1 kg	17.86 lbs
FT33-250	2.5 m	8.20 ft	9.9 kg	21.78 lbs
FT33-300	3 m	9.84 ft	11.7 kg	25.69 lbs
FT33-350	3.5 m	11.48 ft	13.4 kg	29.61 lbs
FT33-400	4 m	13.12 ft	15.2 kg	33.53 lbs
FT33-450	4.5 m	14.76 ft	17.0 kg	37.44 lbs
FT33-500	5 m	16.40 ft	18.8 kg	41.36 lbs

