

TOWER 05



TOWER 05

A light-duty tower for smaller set ups. It is constructed with Quicklock HT34 trussing and comes with a hand winch, steel rope, and outriggers. It features a max. lifting height of 6.5 m (21.33 ft), with the possibility to lift up to 850 kg (1,874 lbs) loads. It is a perfect choice for building up smaller roof systems, LED support, strong lighting support, DJ booths, and more.

PART LIST

TOWER SET 05	1 pc
	- tower 05 base plate
	- tower 05 sleeve block
	- tower 05 top section
	- tower 05 hand winch
	- hinge section
	- safety hooks
HT34-150	2 pcs
HT34-200	1 pc

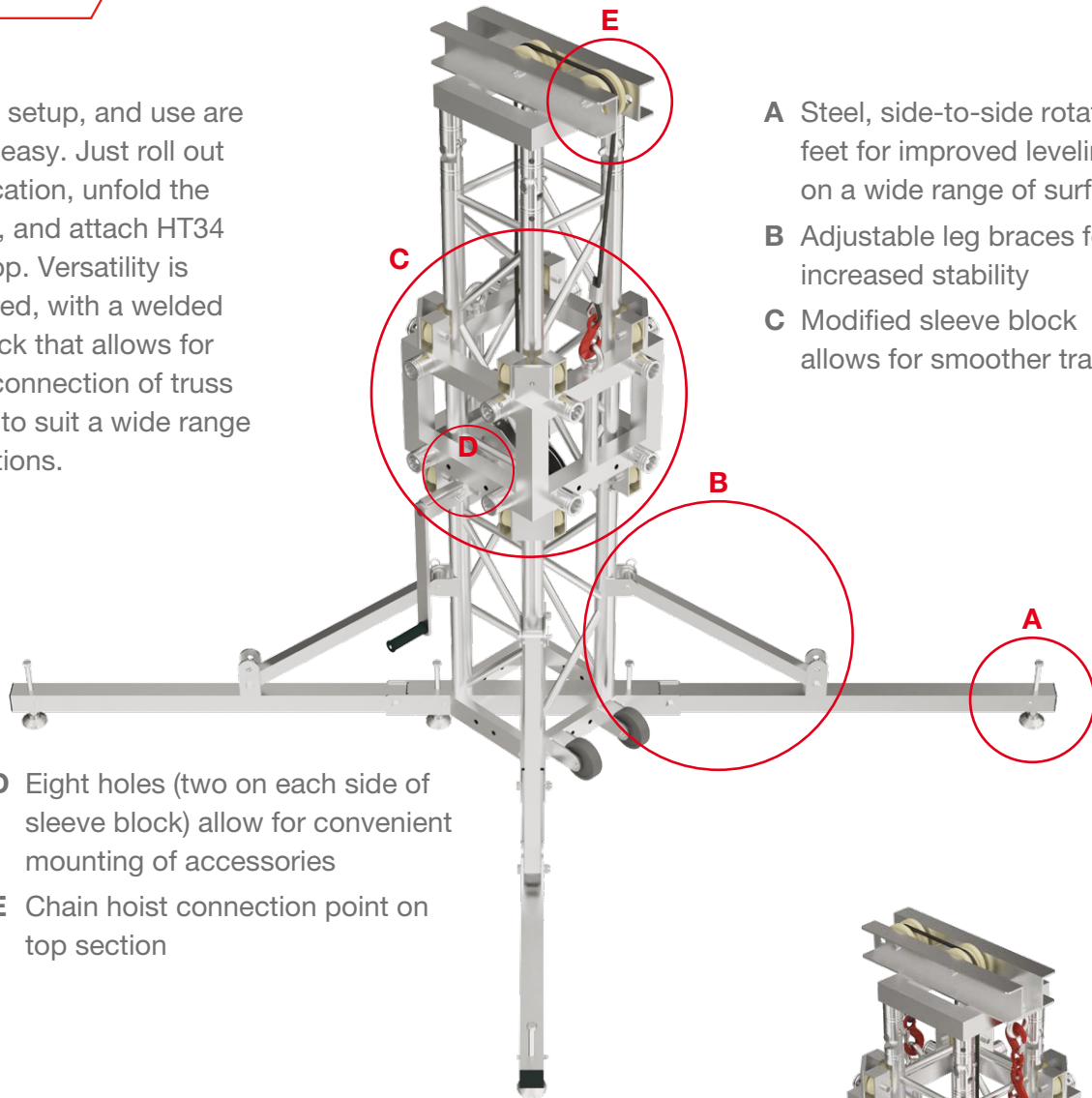
SPECIFICATIONS

SELF WEIGHT	100 kg (220.5 lbs)
HEIGHT	6.5 m (21.3 ft)
LOAD CAPACITY	850 kg (1,874 lbs)

HT34 MAST SECTION

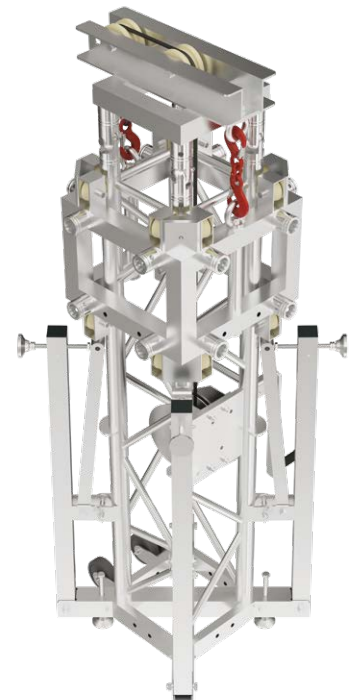
MAIN TUBES	50 x 3 mm (1.97 x 0.12 in)
BRACES	20 x 2 mm (0.79 x 0.08 in)
ALLOY	EN AW-6082 T6

Transport, setup, and use are extremely easy. Just roll out to your location, unfold the outriggers, and attach HT34 truss on top. Versatility is also ensured, with a welded sleeve block that allows for four-way connection of truss segments to suit a wide range of applications.



- A** Steel, side-to-side rotating feet for improved leveling on a wide range of surfaces
- B** Adjustable leg braces for increased stability
- C** Modified sleeve block allows for smoother travel

- D** Eight holes (two on each side of sleeve block) allow for convenient mounting of accessories
- E** Chain hoist connection point on top section



OPTIONAL ACCESSORIES



TO5T-BP-SWH

Safety wire hook for base plate
 100 x 105 x 90 mm
 (3.94 x 4.13 x 3.54 in)
 0.82 kg (1.80 lbs)



TO5T-SB-SWH

Safety wire hook for sleeve block
 160 x 128 x 10 mm
 (6.30 x 5.04 x 0.39 in)
 1.13 kg (2.49 lbs)



TO5T-SB-EB

Eyebold for sleeve block
 45 x 62 x 25 mm
 (1.77 x 2.44 x 0.98 in)
 0.11 kg (0.24 lbs)