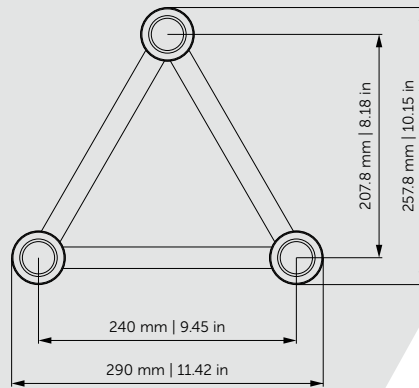


SPECIFICATIONS

Tubes	50 x 3 mm (1.97 x 0.12 in)
Braces	20 x 2 mm (0.79 x 0.08 in)
Alloy	EN AW-6082 T6



LOADING TABLES

		2 m	4 m	6 m	8 m	10 m	12 m
UDL [kg/m]		1231	338	150	81	50	32
Deflection [mm]		2.9	12.8	29.4	51.7	80.6	112.7
CPL [kg]		1321	675	450	324	249	190
Deflection [mm]		2.5	10.3	23.7	42.1	66.1	93.5
		6.56 ft	13.12 ft	19.68 ft	26.24 ft	32.81 ft	39.37 ft
UDL [lbs/ft]		827.3	227.2	100.8	54.4	33.6	21.5
Deflection [in]		0.1	0.5	1.2	2	3.2	4.4
CPL [lbs]		2912.8	1488.4	992.3	714.4	549	419
Deflection [in]		0.1	0.4	0.9	1.7	2.6	3.7

Loading tables are valid for static loads and spans with two supporting points.

Spans must be supported at each end.

Contact structural engineer if there are more supporting points applied or dynamic and wind loads involved.

STRAIGHT SEGMENT LENGTHS

Code	Length		Weight	
HT33-50	0.5m	1.64 ft	3.3 kg	7.22 lbs
HT33-100	1 m	3.28 ft	5.5 kg	12.19 lbs
HT33-150	1.5 m	4.92 ft	7.9 kg	17.36 lbs
HT33-200	2 m	6.56 ft	10.2 kg	22.53 lbs
HT33-250	2.5 m	8.20 ft	12.6 kg	27.71 lbs
HT33-300	3 m	9.84 ft	14.9 kg	32.88 lbs
HT33-350	3.5 m	11.48 ft	17.3 kg	38.05 lbs
HT33-400	4 m	13.12 ft	19.6 kg	43.22 lbs
HT33-450	4.5 m	14.76 ft	22.0 kg	48.39 lbs
HT33-500	5 m	16.40 ft	24.3 kg	53.57 lbs

