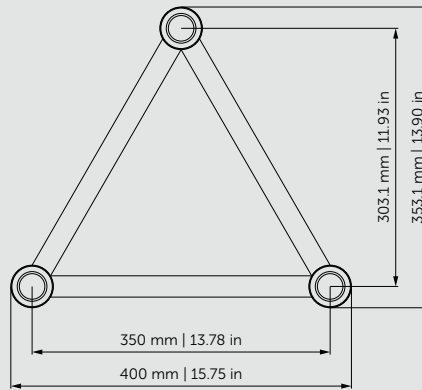


## SPECIFICATIONS

<b>Tubes</b>	50 x 3 mm (1.97 x 0.12 in)
<b>Braces</b>	25 x 3 mm (0.98 x 0.12 in)
<b>Alloy</b>	EN AW-6082 T6



## LOADING TABLES

		2 m	4 m	6 m	8 m	10 m	12 m	14 m	16 m
UDL [kg/m]		1412	457	212	119	75	51	34	25
Deflection [mm]		1.6	8.1	19.4	35.3	56.2	81.9	108.8	140.9
CPL [kg]		1412	913	636	475	375	304	241	207
Deflection [mm]		1.2	6.5	15.7	28.6	45.9	67.5	90.7	123.7
		6.56 ft	13.12 ft	19.68 ft	26.24 ft	32.81 ft	39.37 ft	45.93 ft	52.49 ft
UDL [lbs/ft]		948.9	307.1	142.5	80	50.4	34.3	22.8	16.8
Deflection [in]		0.1	0.3	0.8	1.4	2.2	3.2	4.3	5.5
CPL [lbs]		3113.5	2013.2	1402.4	1047.4	826.9	670.3	531.4	456.4
Deflection [in]		0.05	0.3	0.6	1.1	1.8	2.7	3.6	4.9

Loading tables are valid for static loads and spans with two supporting points.

Spans must be supported at each end.

Contact structural engineer if there are more supporting points applied or dynamic and wind loads involved.

## STRAIGHT SEGMENT LENGTHS

Code	Length		Weight	
	m	ft	kg	lbs
HT43-50	0.5 m	1.64 ft	4.16 kg	9.17 lbs
HT43-100	1 m	3.28 ft	7.25 kg	15.99 lbs
HT43-150	1.5 m	4.92 ft	10.03 kg	22.10 lbs
HT43-200	2 m	6.56 ft	12.69 kg	27.98 lbs
HT43-250	2.5 m	8.20 ft	15.43 kg	34.01 lbs
HT43-300	3 m	9.84 ft	18.44 kg	40.65 lbs
HT43-350	3.5 m	11.48 ft	21.11 kg	46.55 lbs
HT43-400	4 m	13.12 ft	23.97 kg	52.84 lbs
HT43-450	4.5 m	14.76 ft	26.56 kg	58.55 lbs
HT43-500	5 m	16.40 ft	29.54 kg	65.12 lbs

