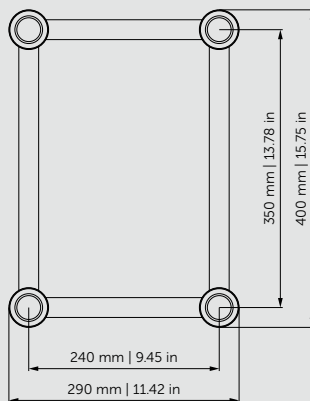


# QUICKLOCK LINE FTR4030 rectangle

## SPECIFICATIONS

<b>Tubes</b>	50 x 3 mm (1.97 x 0.12 in)
<b>Braces</b>	25 x 3 mm (0.98 x 0.12 in)
<b>Alloy</b>	EN AW-6082 T6



## LOADING TABLES

		6 m	8 m	10 m	12 m	14 m	16 m	18 m
UDL [kg/m]		464	261	167	115	85	63	47
Deflection [mm]		20.9	37.5	59.2	85.8	119.3	154.1	190
CPL [kg]		1392	1045	833	688	592	501	421
Deflection [mm]		16.8	30.2	47.7	69.5	97	126	156.3
		19.68 ft	26.24 ft	32.81 ft	39.37 ft	45.93 ft	52.49 ft	59.05 ft
UDL [lbs/ft]		311.8	175.4	112.2	77.3	57.1	42.3	31.6
Deflection [in]		0.8	1.5	2.3	3.4	4.7	6.1	7.5
CPL [lbs]		3069.4	2304.2	1836.8	1517	1305.4	1104.7	928.3
Deflection [in]		0.7	1.2	1.9	2.7	3.8	5	6.2

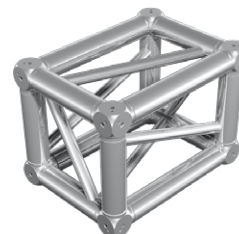
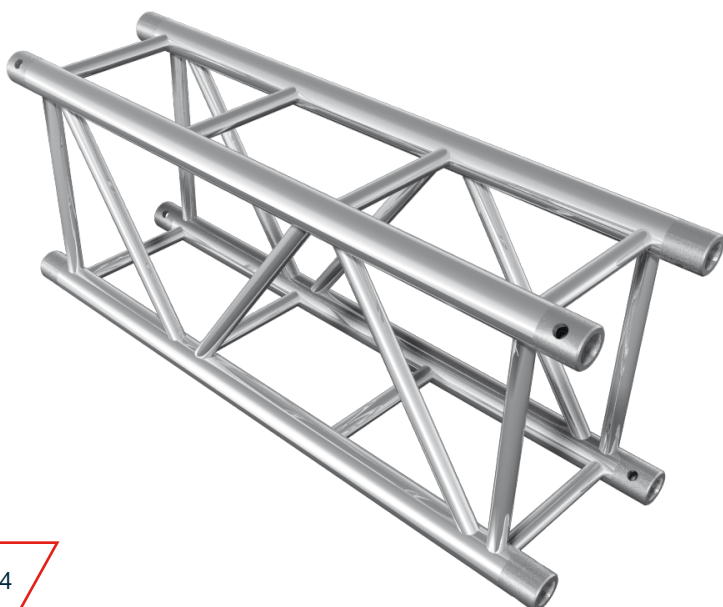
Loading tables are valid for static loads and spans with two supporting points.

Spans must be supported at each end.

Contact structural engineer if there are more supporting points applied or dynamic and wind loads involved.

## STRAIGHT SEGMENT LENGTHS

Code	Length		Weight	
FTR4030-50	0.5 m	1.64 ft	7.98 kg	17.60 lbs
FTR4030-100	1 m	3.28 ft	11.67 kg	25.73 lbs
FTR4030-150	1.5 m	4.92 ft	14.93 kg	32.92 lbs
FTR4030-200	2 m	6.56 ft	18.12 kg	39.95 lbs
FTR4030-250	2.5 m	8.20 ft	21.36 kg	47.08 lbs
FTR4030-300	3 m	9.84 ft	24.99 kg	55.09 lbs
FTR4030-350	3.5 m	11.48 ft	28.18 kg	62.14 lbs
FTR4030-400	4 m	13.12 ft	31.50 kg	69.45 lbs



### FTR4030-MCB

	Multi connection box
	29 x 29 x 35 cm (11.42 x 11.42 x 13.78 in)
	9.51 kg (20.97 lbs)

Includes 2 connection sets for two ways.