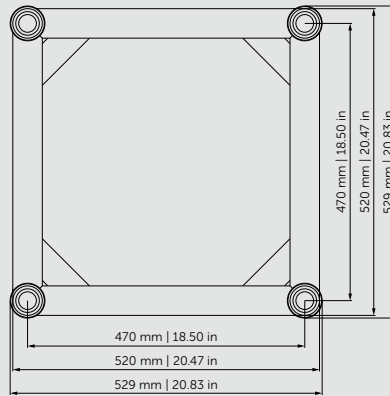


SPECIFICATIONS

Tubes	50 x 4 mm (1.97 x 0.16 in)
Braces	30 x 3 mm (1.18 x 0.12 in)
Alloy	EN AW-6082 T6



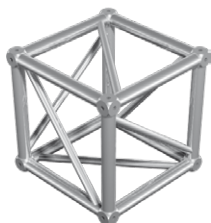
LOADING TABLES

		4 m	6 m	8 m	10 m	12 m	14 m	16 m	18 m	20 m	22 m
UDL [kg/m]		1443	957	543	343	234	168	126	96	76	60
Deflection [mm]		5	18	33	51	73	100	131	166	206	250
CPL [kg]		3398	2578	2072	1713	1403	1178	1005	868	755	661
Deflection [mm]		5	13	25	41	60	82	108	138	172	210
TPL [kg]		2141	1689	1391	1180	1023	883	754	651	567	496
Deflection [mm]		5	14	28	47	70	96	122	150	179	209
QPL [kg]		1428	1126	927	787	682	589	503	434	378	331
Deflection [mm]		5	13	26	43	65	89	113	139	166	194
FPL [kg]		1129	900	747	637	554	490	419	362	315	275
Deflection		5	14	27	45	67	94	120	148	177	206
		13.12 ft	19.69 ft	26.25 ft	32.81 ft	39.37 ft	45.93 ft	52.49 ft	59.06 ft	65.62 ft	72.18 ft
UDL [lbs/ft]		969.65	643.07	364.88	230.49	157.24	112.89	84.67	64.51	51.07	40.32
Deflection [in]		0.20	0.71	1.30	2.01	2.87	3.94	5.16	6.54	8.11	9.84
CPL [lbs]		7491.31	5683.52	4567.98	3776.52	3093.09	2597.05	2215.65	1913.61	1664.49	1457.26
Deflection [in]		0.20	0.51	0.98	1.61	2.36	3.23	4.25	5.43	6.77	8.27
TPL [lbs]		4720.10	3723.61	3066.63	2601.45	2255.33	1946.68	1662.29	1435.21	1250.02	1093.49
Deflection [in]		0.20	0.55	1.10	1.85	2.76	3.78	4.80	5.91	7.05	8.23
QPL [lbs]		3148.20	2482.41	2043.69	1735.04	1503.55	1298.52	1108.93	956.81	833.35	729.73
Deflection [in]		0.20	0.51	1.02	1.69	2.56	3.50	4.45	5.47	6.54	7.64
FPL [lbs]		2489.02	1984.16	1646.85	1404.34	1221.36	1080.27	923.74	798.07	694.46	606.27
Deflection [in]		0.20	0.55	1.06	1.77	2.64	3.70	4.72	5.83	6.97	8.11

Loading tables are valid for static loads and spans with two supporting points. Spans must be supported at each end. Contact structural engineer if there are more supporting points applied or dynamic and wind loads involved.

STRAIGHT SEGMENT LENGTHS

Code	Length		Weight	
TT54M-50	0.5 m	1.64 ft	15.80 kg	34.83 lbs
TT54M-100	1 m	3.28 ft	21.20 kg	46.75 lbs
TT54M-200	2 m	6.56 ft	34.24 kg	75.50 lbs
TT54M-250	2.5 m	8.20 ft	43.11 kg	95.05 lbs
TT54M-300	3 m	9.84 ft	47.30 kg	104.27 lbs
TT54M-400	4 m	13.12 ft	59.87 kg	131.99 lbs



TT54M-MCB

	Multi connection box
	0.52 x 0.52 m (1.71 x 1.71 ft)
	19.74 kg (43.53 lbs)

