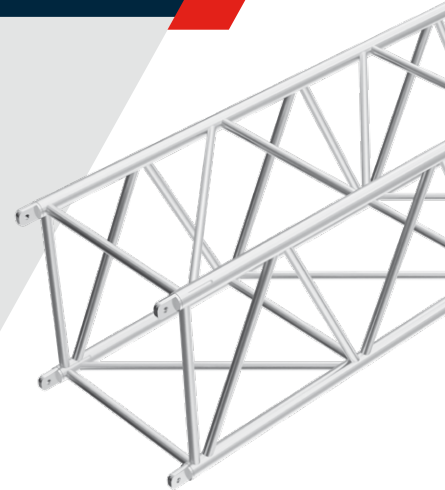
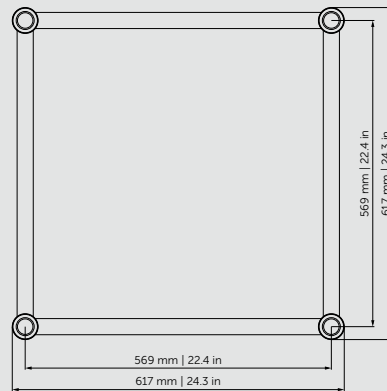


## SPECIFICATIONS

<b>Tubes</b>	48 x 4.5 mm (1.89 x 0.18 in)
<b>Braces</b>	30 x 3 mm (1.2 x 0.12 in)
<b>Alloy</b>	EN AW-6082 T6



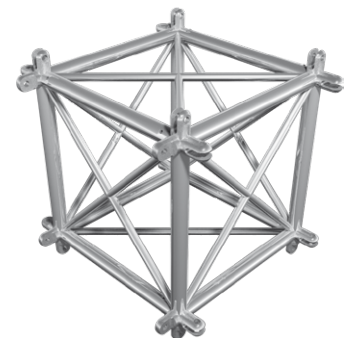
## LOADING TABLES

		4 m	6 m	8 m	10 m	12 m	14 m	16 m	17 m	18 m	19 m	20 m
UDL [kg/m]		1657	1076	603	383	264	190	142	124	109	97	86
Deflection [mm]		4	13.2	23.7	37.3	54.1	73.9	96.7	109.3	122.7	136.9	151.9
CPL [kg]		4702	3227	2412	1916	1583	1331	1138	1058	985	920	860
Deflection [mm]		4.5	10.6	19.1	30.1	43.9	60.2	79.3	89.9	101.2	113.3	126.2
TPL [kg]		3315	2421	1809	1437	1188	998	kvě.02	793	739	690	645
Deflection [mm]		5.4	13.5	24.2	38.1	55.3	75.4	98.6	111.4	125.1	139.5	154.8
QPL [kg]		2210	1614	12.6	958	792	666	569	529	493	460	430
Deflection [mm]		5.1	12.6	22.5	35.5	51.6	70.4	92.3	104.4	117.3	131	145.5
FPL [kg]		1657	1345	1005	799	660	555	474	441	411	383	358
Deflection		4.9	13.4	24.1	37.9	55	75	98.2	111	124.5	138.9	134.1
		<b>13.12 ft</b>	<b>19.68 ft</b>	<b>26.24 ft</b>	<b>32.8 ft</b>	<b>39.36 ft</b>	<b>45.92 ft</b>	<b>52.48 ft</b>	<b>55.76 ft</b>	<b>59.04 ft</b>	<b>62.32 ft</b>	<b>65.6 ft</b>
UDL [lbs/ft]		1113.45	723.04	405.20	257.36	177.40	127.67	95.42	83.32	73.24	65.18	57.79
Deflection [in]		0.16	0.52	0.93	1.47	2.13	2.91	3.81	4.30	4.83	5.39	5.98
CPL [lbs]		10366.14	7114.32	5317.55	4224.06	3489.92	2934.35	2508.86	2332.49	2171.55	2028.25	1895.98
Deflection [in]		0.18	0.42	0.75	1.19	1.73	2.37	3.12	3.54	3.98	4.46	4.97
TPL [lbs]		7308.32	5337.39	3988.16	3168.04	2619.09	2200.21	1882.75	1748.27	1629.22	1521.19	1421.98
Deflection [in]		0.21	0.53	0.95	1.50	2.18	2.97	3.88	4.39	4.93	5.49	6.09
QPL [lbs]		4872.22	3558.26	27.78	2112.03	1746.06	1468.28	1254.43	1166.25	1086.88	1014.13	947.99
Deflection [in]		0.20	0.50	0.89	1.40	2.03	2.77	3.63	4.11	4.62	5.16	5.73
FPL [lbs]		3653.06	2965.22	2215.65	1761.49	1455.05	1223.57	1044.99	972.24	906.10	844.37	789.25
Deflection [in]		0.19	0.53	0.95	1.49	2.17	2.95	3.87	4.37	4.90	5.47	5.28

Loading tables are valid for static loads and spans with two supporting points. Spans must be supported at each end. Contact structural engineer if there are more supporting points applied or dynamic and wind loads involved.

## STRAIGHT SEGMENT LENGTHS

Code	Length		Weight	
GS620-100	1 m	3.28 ft	17.83 kg	39.30 lbs
GS620-120	1.2 m	3.94 ft	19.39 kg	42.76 lbs
GS620-200	2 m	6.56 ft	26.58 kg	58.60 lbs
GS620-240	2.4 m	7.87 ft	33.71 kg	74.31 lbs
GS620-300	3 m	9.84 ft	37.25 kg	82.11 lbs
GS620-400	4 m	13.12 ft	53.49 kg	117.93 lbs



All other corner variants are available on request.

### GS620-C41

	Four-way corner
	23.84 kg (52.56 lbs)