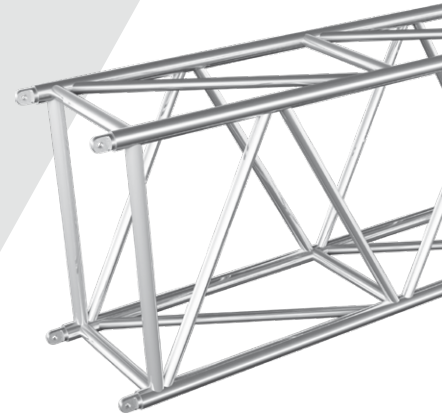
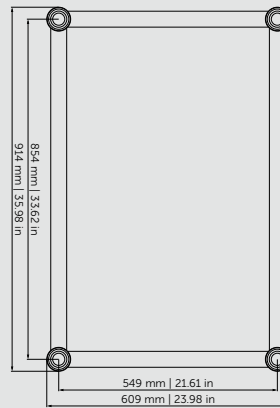


## SPECIFICATIONS

<b>Tubes</b>	60 x 5 mm (2.36 x 0.18 in)
<b>Braces</b>	40 x 3 mm (1.57 x 0.12 in)
<b>Alloy</b>	EN AW-6082 T6



## LOADING TABLES

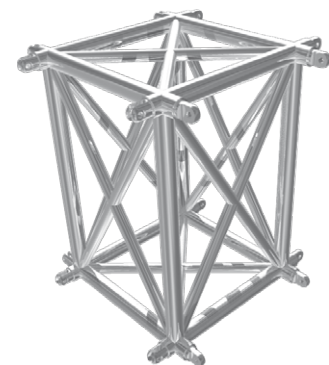
		4 m	6 m	8 m	10 m	12 m	14 m	16 m	17 m	18 m	19 m	20 m
UDL [kg/m]		1870	1241	927	738	603	439	332	292	259	230	206
Deflection [mm]		1.4	4.8	11.4	22.3	38.1	51.9	67.8	76.6	86	95.8	106.3
CPL [kg]		7514	7388	5511	4378	3618	3070	2654	2482	2327	2188	2062
Deflection [mm]		2.3	7.6	13.6	21.2	30.7	41.9	55	62.2	69.9	78.1	86.8
TPL [kg]		3740	3723	3706	3284	2713	2302	čvn.05	1861	1745	1641	1547
Deflection [mm]		1.9	6.5	15.5	27	38.9	53	69.2	78.2	87.7	97.8	108.5
QPL [kg]		2493	2482	2471	2189	1809	1535	1327	1241	1164	1094	1031
Deflection [mm]		1.8	6.1	14.4	25.1	36.2	49.4	64.6	73	82	91.4	101.4
FPL [kg]		1870	1862	1853	1824	1507	1279	1106	1034	970	912	859
Deflection		1.7	5.9	13.9	26.9	38.7	52.7	68.9	77.9	87.3	97.4	108
		13.12 ft	19.68 ft	26.24 ft	32.8 ft	39.36 ft	45.92 ft	52.48 ft	55.76 ft	59.04 ft	62.32 ft	65.6 ft
UDL [lbs/ft]		1256.58	833.91	622.92	495.91	405.20	294.99	223.09	196.22	174.04	154.55	138.43
Deflection [in]		0.06	0.19	0.45	0.88	1.50	2.04	2.67	3.02	3.39	3.77	4.19
CPL [lbs]		16565.53	16287.75	12149.68	9651.84	7976.32	6768.19	5851.07	5471.87	5130.16	4823.71	4545.93
Deflection [in]		0.09	0.30	0.54	0.83	1.21	1.65	2.17	2.45	2.75	3.07	3.42
TPL [lbs]		8245.29	8207.81	8170.33	7239.98	5981.14	5075.04	4389.40	4102.80	3847.07	3617.79	3410.55
Deflection [in]		0.07	0.26	0.61	1.06	1.53	2.09	2.72	3.08	3.45	3.85	4.27
QPL [lbs]		5496.12	5471.87	5447.62	4825.92	3988.16	3384.10	2925.53	2735.94	2566.18	2411.86	2272.97
Deflection [in]		0.07	0.24	0.57	0.99	1.43	1.94	2.54	2.87	3.23	3.60	3.99
FPL [lbs]		4122.64	4105.01	4085.17	4021.23	3322.37	2819.71	2438.31	2279.58	2138.48	2010.62	1893.77
Deflection [in]		0.07	0.23	0.55	1.06	1.52	2.07	2.71	3.07	3.44	3.83	4.25

Loading tables are valid for static loads and spans with two supporting points. Spans must be supported at each end. Contact structural engineer if there are more supporting points applied or dynamic and wind loads involved.

## STRAIGHT SEGMENT LENGTHS

Code	Length		Weight	
GS910-100	1 m	3.28 ft	25.6 kg	56.48 lbs
GS910-120	1.2 m	3.94 ft	43.1 kg	95.07 lbs
GS910-200	2 m	6.56 ft	51.0 kg	112.42 lbs
GS910-240	2.4 m	7.87 ft	59.6 kg	131.32 lbs
GS910-250	2.5 m	8.20 ft	50.96 kg	112.35 lbs
GS910-300	3 m	9.84 ft	56.80 kg	125.22 lbs
GS910-400	4 m	13.12 ft	72.67 kg	160.21 lbs

All other corner variants are available on request.



### GS910-MCB

- Multi connection cube
- 22.54 kg (49.66 lbs)