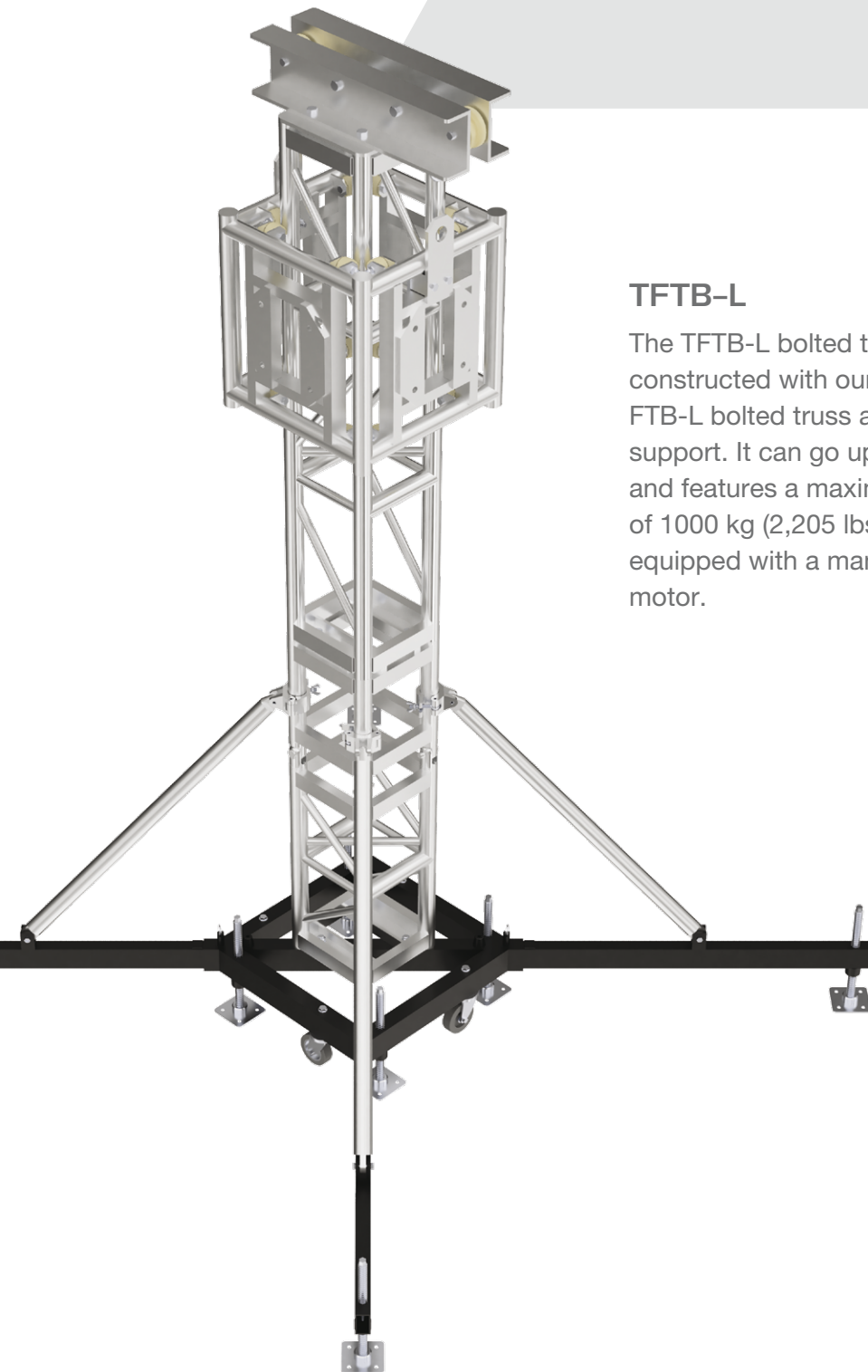


BOLTED TOWER TFTB-L



TFTB-L

The TFTB-L bolted truss tower system is constructed with our standard 12 in (304.8 mm) FTB-L bolted truss and is designed for ground support. It can go up to 7.5 m (24.6 ft) in height and features a maximum loading capacity of 1000 kg (2,205 lbs). The tower can be equipped with a manual chain hoist or rigging motor.

PART LIST

TFTB-L-BP	1 pc
TFTB-L-SB L	1 pc
TFTB-LHS	1 pc
TFTB-L-TS	1 pc
TFTB-L-LO	4 pcs
FTB-L-SB L ZO	2 pcs
FTB-L-5	1 pc
FTB-L-8	2 pcs

SPECIFICATIONS

SELF WEIGHT	145 kg (320 lbs)
HEIGHT	7.5 m (24.6 ft)
LOAD CAPACITY	1000 kg (2,205 lbs)

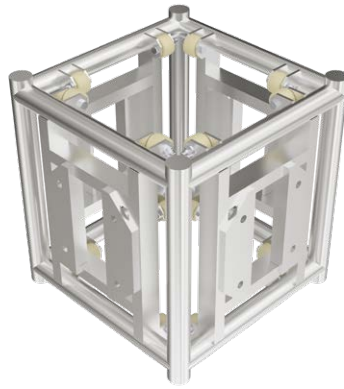
FTB-L MAST SECTION

MAIN TUBE	50 x 3 mm (1.97 x 0.12 in)
BRACES	25 x 3 mm (0.98 x 0.12 in)
ALLOY	EN AW-6082 T6



TFTB-L-BP

Steel base plate for TFTB-L
680 x 680 x 340 mm
(26.77 x 26.77 x 13.39 in)
11.30 kg (24.92 lbs)



TFTB-L-SB L

Bolted tower sleeve block for FTB-L connection
539 x 549 x 539 mm
(21.22 x 21.61 x 21.22 in)
22.60 kg (49.82 lbs)



TFTB-L-TS

Top section for bolted tower
670 x 170 x 304 mm
(26.38 x 6.69 x 11.97 in)
7.94 kg (17.51 lbs)



TFTB-L-LO

Bolted tower long outrigger stabilizer
1575 x 110 x 340 mm
(62 x 4.33 x 13.39 in)
10.80 kg (23.80 lbs)



TFTB-L-HS

Hinge section for bolted tower
1.07 m (3.5 ft)
304 x 1067 x 304 mm
(11.97 x 42.00 x 11.97 in)
10.42 kg (22.96 lbs)



TFTB-L-SB L ZO

Removable rigging eye for the bolted tower sleeve block
90 x 220 x 97.5 mm
(3.54 x 8.66 x 3.82 in)
0.99 kg (2.19 lbs)