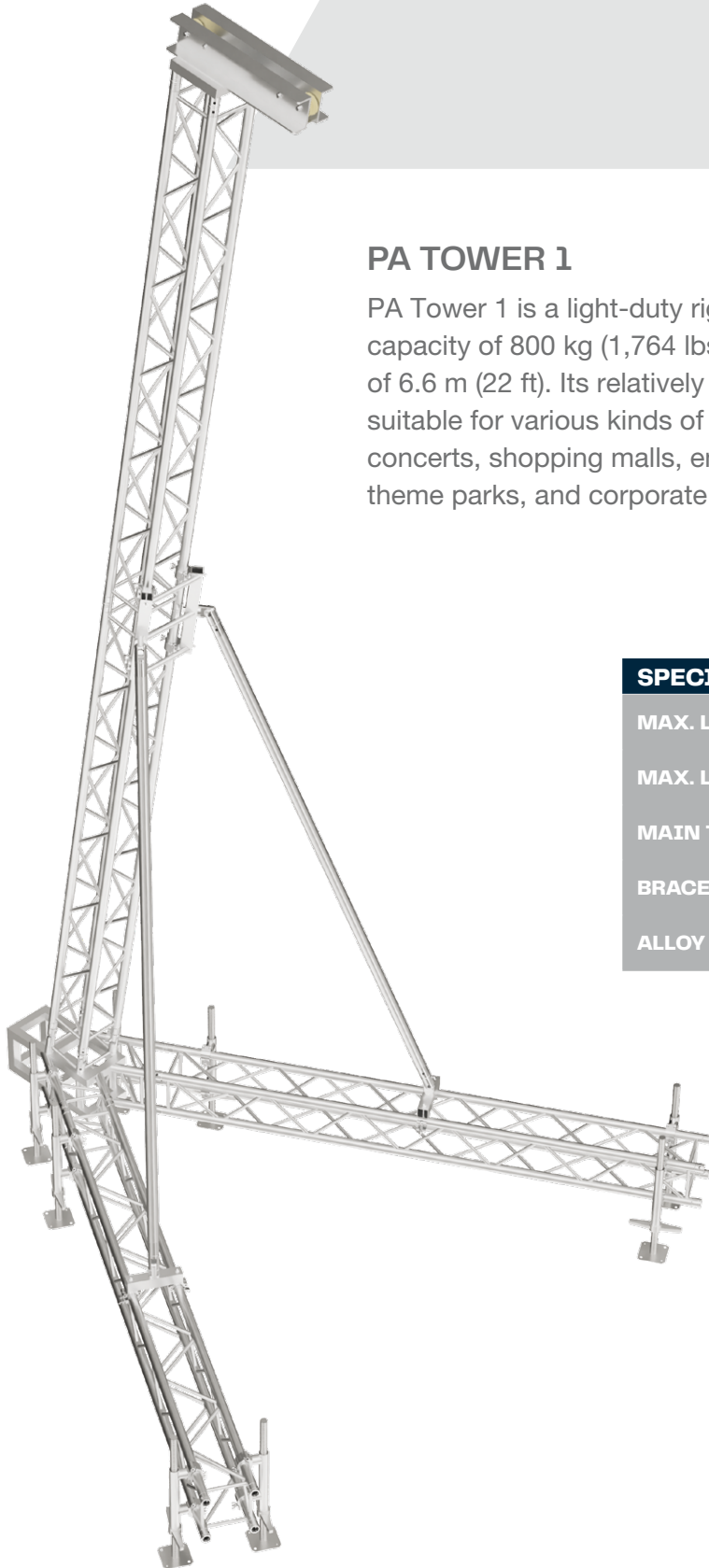


PA TOWER 1



PA TOWER 1

PA Tower 1 is a light-duty rigging tower with a maximum loading capacity of 800 kg (1,764 lbs) and a maximum lifting height of 6.6 m (22 ft). Its relatively small dimensions make PA Tower 1 suitable for various kinds of applications, such as outdoor events, concerts, shopping malls, entrance halls, exhibitions, displays, theme parks, and corporate events.

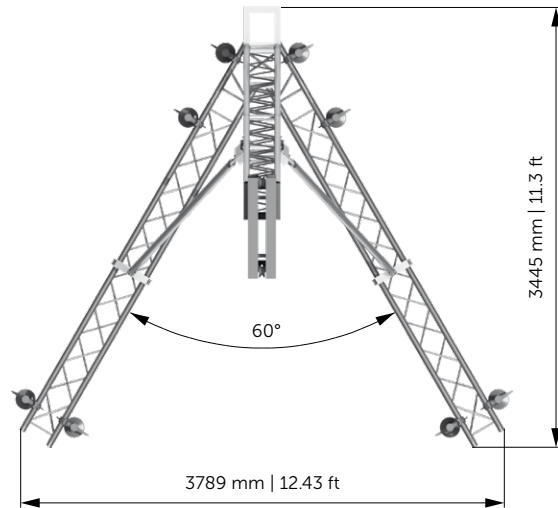
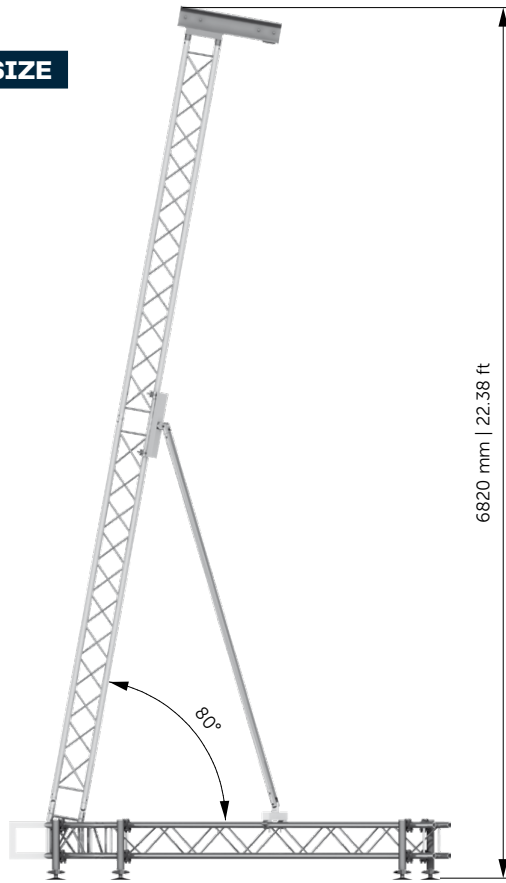
SPECIFICATIONS

MAX. LIFTING HEIGHT	6.6 m (22 ft)
MAX. LOADING CAPACITY	800 kg (1,764 lbs)
MAIN TUBE	50 x 4 mm (1.97 x 0.16 in)
BRACES	20 x 2 mm (0.79 x 0.08 in)
ALLOY	EN AW-6082 T6

PART LIST

PA1-TOP	1 pc
PA1-BC60°	1 pc
PA1-RS	1 pc
PA1-CS	2 pcs
PA1-SP	2 pcs
PA1-SJ	8 pcs
PA1-SJA	8 pcs
TT34-300	4 pcs

SIZE

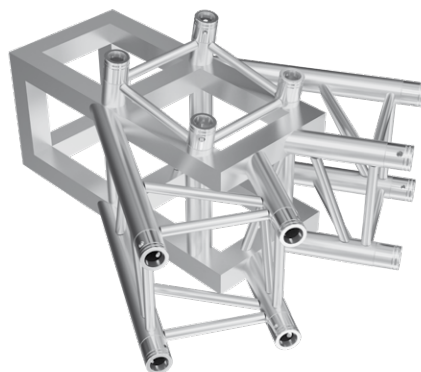


WIND MANAGEMENT

Max. wind velocity: 20m/s (44.74 mph)*
 * Valid for outdoor, temporary installations without snow or ice
 * Valid for places in III. terrain category = areas continuously covered with vegetation or buildings

BALLAST

AUDIO WEIGHT	AUDIO SURFACE	WIND SPEED	BALLAST
100 kg (220 lbs)	3 m ² (32.29 ft ²)	20 m/s (44.74 mph)	2 x 505 kg (1,113 lbs)
800 kg (1,764 lbs)	3 m ² (32.29 ft ²)	20 m/s (44.74 mph)	2 x 295 kg (650 lbs)



PA1-TOP

Top section
 800 x 260 x 290 mm
 (31.50 x 10.24 x 11.42 in)
 18.02 kg (39.71 lbs)

PA1-BC60°

Base 60° corner
 847 x 790 x 402 mm
 (33.35 x 31.10 x 15.83 in)
 19.52 kg (43.03 lbs)