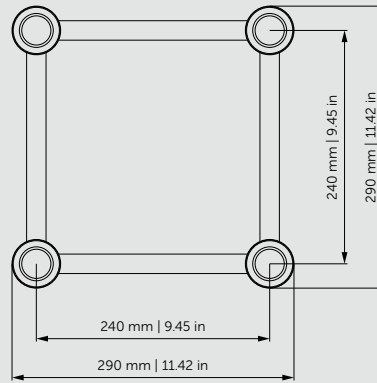


SPECIFICATIONS

Tubes	50 x 4 mm (1.97 x 0.16 in)
Braces	20 x 2 mm (0.79 x 0.08 in)
Alloy	EN AW-6082 T6



LOADING TABLES

		2 m	4 m	6 m	8 m	10 m	12 m
UDL [kg/m]		1418	705	421	233	146	99
Deflection [mm]		1.3	10.2	31.1	55.4	86.8	125.3
CPL [kg]		2837	1892	1262	932	731	594
Deflection [mm]		2	11	25	44.8	70.4	102.3
		6.56 ft	13.12 ft	19.68 ft	26.24 ft	32.81 ft	39.37 ft
UDL [lbs/ft]		952.85	473.74	282.90	156.57	98.11	66.52
Deflection [in]		0.05	0.40	1.22	2.18	3.42	4.93
CPL [lbs]		6254.51	4171.15	2782.23	2054.71	1611.58	1309.55
Deflection [in]		0.08	0.43	0.98	1.76	2.77	4.03

Loading tables are valid for static loads and spans with two supporting points.

Spans must be supported at each end.

Contact structural engineer if there are more supporting points applied or dynamic and wind loads involved.

STRAIGHT SEGMENT LENGTHS

Code	Length		Weight	
TT34-100	1 m	3.28 ft	9.55 kg	21.06 lbs
TT34-150	1.5 m	4.92 ft	13.42 kg	29.59 lbs
TT34-200	2 m	6.56 ft	17.29 kg	38.11 lbs
TT34-250	2.5 m	8.20 ft	21.16 kg	46.64 lbs
TT34-300	3 m	9.84 ft	25.02 kg	55.17 lbs
TT34-350	3.5 m	11.48 ft	28.64 kg	63.13 lbs
TT34-400	4 m	13.12 ft	32.76 kg	72.22 lbs
TT34-500	5 m	14.76 ft	40.50 kg	89.28 lbs

