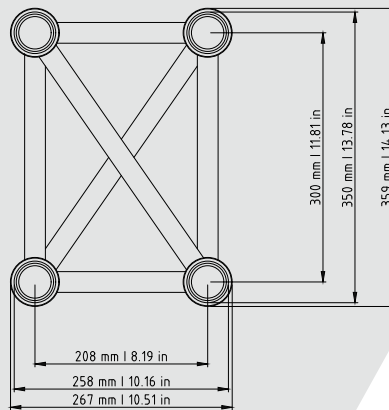


## SPECIFICATIONS

<b>Tubes</b>	50 x 4 mm (1.97 x 0.16 in)
<b>Braces</b>	25 x 3 mm (0.98 x 0.12 in)
<b>Alloy</b>	EN AW-6082 T6



## LOADING TABLES

		4 m	6 m	8 m	10 m	12 m	14 m	16 m	18 m	20 m
UDL [kg/m]		1027	560	320	204	140	101	75	57	45
Deflection [mm]		12	29	51	79	114	155	202	256	317
CPL [kg]		1992	1451	1131	919	767	652	561	486	424
Deflection [mm]		10	21	37	58	85	118	157	202	254
TPL [kg]		1305	987	786	648	547	469	406	355	312
Deflection [mm]		10	24	43	69	102	142	188	242	304
QPL [kg]		1027	801	613	491	405	342	292	252	219
Deflection [mm]		11	26	47	73	105	143	188	240	298
FPL [kg]		861	621	480	387	321	272	233	201	175
Deflection		12	26	46	72	105	145	190	243	302
		<b>13.12 ft</b>	<b>19.69 ft</b>	<b>26.25 ft</b>	<b>32.81 ft</b>	<b>39.37 ft</b>	<b>45.93 ft</b>	<b>52.49 ft</b>	<b>59.06 ft</b>	<b>65.62 ft</b>
UDL [lbs/ft]		690.11	376.30	215.03	137.08	94.08	67.87	50.40	38.30	30.24
Deflection [in]		0.47	1.14	2.01	3.11	4.49	6.10	7.95	10.08	12.48
CPL [lbs]		4391.61	3198.91	2493.43	2026.05	1690.95	1437.41	1236.79	1071.45	934.76
Deflection [in]		0.39	0.83	1.46	2.28	3.35	4.65	6.18	7.95	10.00
TPL [lbs]		2876.64	2175.67	1732.60	1428.40	1205.76	1033.83	894.95	782.53	687.75
Deflection [in]		0.39	0.94	1.69	2.72	4.02	5.59	7.40	9.53	11.97
QPL [lbs]		1898.18	1369.07	1058.22	853.19	707.68	599.66	513.68	443.13	385.81
Deflection [in]		0.43	1.02	1.85	2.87	4.13	5.63	7.40	9.45	11.73
FPL [lbs]		1898.18	1369.07	1058.22	853.19	707.68	599.66	513.68	443.13	385.81
Deflection [in]		0.47	1.02	1.81	2.83	4.13	5.71	7.48	9.57	11.89

Loading tables are valid for static loads and spans with two supporting points. Spans must be supported at each end. Contact structural engineer if there are more supporting points applied or dynamic and wind loads involved.

## STRAIGHT SEGMENT LENGTHS

Code	Length		Weight	
TS36R-100	1 m	1.64 ft	14.23 kg	31.37 lbs
TS36R-120	1.2 m	3.94 ft	15.62 kg	34.44 lbs
TS36R-200	2 m	6.56 ft	22.38 kg	49.35 lbs
TS36R-300	3 m	9.84 ft	30.10 kg	66.37 lbs

