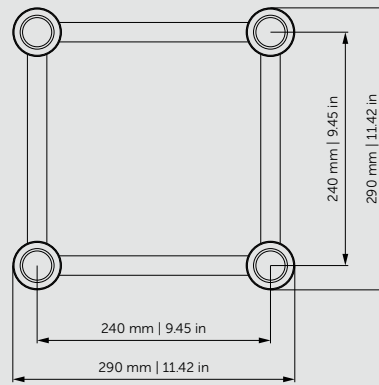


## SPECIFICATIONS FT34

<b>Tubes</b>	50 x 2 mm (1.97 x 0.08 in)
<b>Braces</b>	20 x 2 mm (0.79 x 0.08 in)
<b>Alloy</b>	EN AW-6082 T6



## LOADING TABLES

		2 m	4 m	6 m	8 m	10 m	12 m
UDL [kg/m]		1422	493	223	127	79	51
Deflection [mm]		2.4	13.7	31.8	58	90.5	126.4
CPL [kg]		1919	987	670	507	394	308
Deflection [mm]		2.6	11	25.6	46.9	73.6	103.6
		6.56 ft	13.12 ft	19.68 ft	26.24 ft	32.81 ft	39.37 ft
UDL [lbs/ft]		955.7	331.3	149.9	85.4	53.1	34.3
Deflection [in]		0.1	0.5	1.3	2.3	3.6	5
CPL [lbs]		4231.4	2176.3	1477.4	1117.9	868.8	679.1
Deflection [in]		0.1	0.4	1	1.8	2.9	4.1

Loading tables are valid for static loads and spans with two supporting points.

Spans must be supported at each end.

Contact structural engineer if there are more supporting points applied or dynamic and wind loads involved.

## STRAIGHT SEGMENT LENGTHS

Code	Length		Weight	
FT34-50	0.5 m	1.64 ft	3.8 kg	8.43 lbs
FT34-100	1 m	3.28 ft	6.1 kg	13.38 lbs
FT34-150	1.5 m	4.92 ft	8.4 kg	18.60 lbs
FT34-200	2 m	6.56 ft	10.8 kg	23.82 lbs
FT34-250	2.5 m	8.20 ft	13.2 kg	29.04 lbs
FT34-300	3 m	9.84 ft	15.5 kg	34.26 lbs
FT34-350	3.5 m	11.48 ft	17.9 kg	39.48 lbs
FT34-400	4 m	13.12 ft	20.3 kg	44.70 lbs
FT34-450	4.5 m	14.76 ft	22.6 kg	49.92 lbs
FT34-500	5 m	16.40 ft	25.0 kg	55.14 lbs

